

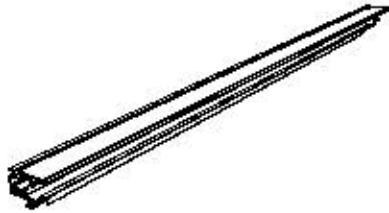
 Genuine Accessories

TASMAN Bed cover

Installation manual

Product components

A Side Profile (Left)



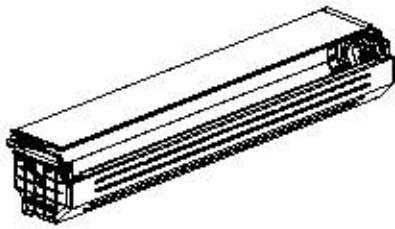
x 1

B Side Profile (Right)



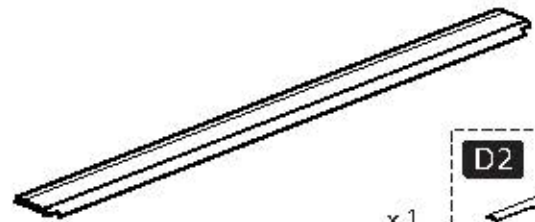
x 1

C Canister



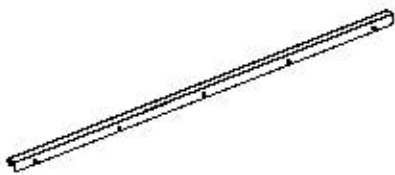
x 1

D Rear Profile



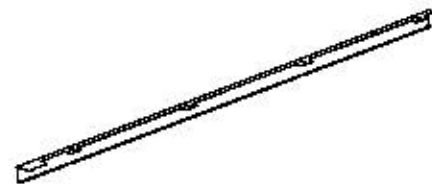
x 1

E Front Profile



x 1

F Side Bracket (Left)



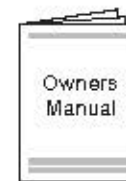
x 1

G Side Bracket (Right)



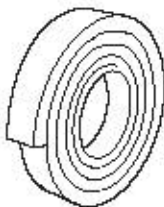
x 1

H Owners Manual



x 1

I Sealing foam tape (for canister / 25x10mm)



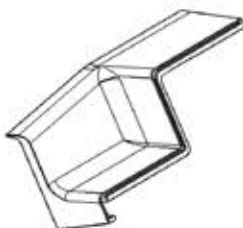
x 1

J Sealing foam tape (for front profile / 10x6mm)



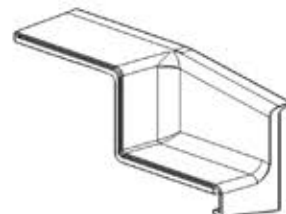
x 1

K Front end rubber (left)



x 1

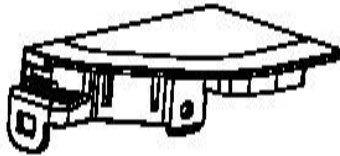
L Front end rubber (right)



x 1

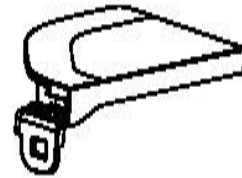
Product components

M Rear corner upper cap (left)



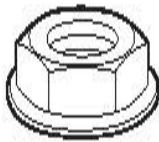
x 1

N Rear corner upper cap (Right)



x 1

O T45 Nut (for P+E, F/G+R assembly)



P+E x 4
F/G+R x 6

P T45 Torx Bolt (for E assembly)



x 4

Q T30 Torx Bolt (for A/B assembly)



A x 3
B x 3

R T45 Torx Bolt (for F/G assembly)



x 8

S T30 Torx Bolt (for C canister + side bracket assembly)



x 4

T Front profile washer (for E assembly / exterior)



x 4

U Bedliner washer (6mm / for E assembly / interior)



x 4

V Tapping screw 5.0x14



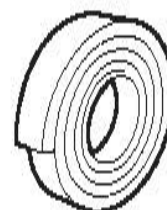
x 2

W Front drain hose



x 2

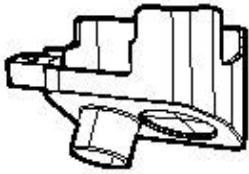
X Sealing foam tape (for side top trim cover / 20x3mm)



x 1

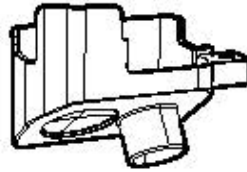
Product components

Y Rear drain funnel (left)



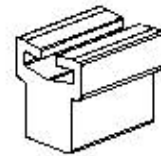
x 1

Z Rear drain funnel (Right)



x 1

AA Locking stone



x 4

BB Rear door latch waterproof pad

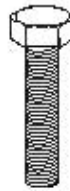
~ 70 x 55mm (2T)



x 1

CC M12x30 hex bolt

~ For dust cover / Provided by KIA



LH x 2
RH x 2

DD Dust cover (Left)



~ Provided by KIA

x 1

EE Dust cover (Right)

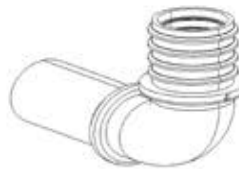
~ Provided by KIA



x 1

FF Angle Bracket

~ Provided by KIA



x 2

Parts list (KOR / ENG)

A 사이드 프로파일 (좌) / Side profile (Left)

B 사이드 프로파일 (우) / Side profile (Right)

C 캐니스터 / Canister

D 리어 프로파일 / Rear profile

E 프런트 프로파일 / Front profile

F 사이드 브라켓 (좌) / Side bracket (Left)

G 사이드 브라켓 (우) / Side bracket (Right)

H 사용자 매뉴얼 / Owner's manual

I 수밀용 폼테이프 (25x10mm) / Foam tape (25x10mm)

J 수밀용 폼테이프 (10x6mm) / Foam tape (10x6mm)

K 프런트 엔드 러버 (좌) / Front end rubber (Left)

L 프런트 엔드 러버 (우) / Front end rubber (Right)

M 리어 코너 상단캡 (좌) / Rear corner cap top (Left)

N 리어 코너 상단캡 (우) / Rear corner cap top (Right)

O T45 너트 / T45 nut

P T45 별볼트 (E 조립용) / T45 torx screw (For E)

Q T30 별볼트 (A/B 조립용) / T30 torx screw (For A/B)

R T45 별볼트 (F/G 조립용) / T45 torx screw (For F/G)

S T30 별볼트 (C 조립용) / T30 torx screw (For C)

T 프런트 프로파일 와셔 / Front profile washer

U 베드라이너 와셔 6mm / Bedliner washer 6mm

V 탭핑 스크류 5.0x14 / Tapping screw 5.0x14

W 전방 드레인 호스 / Front drain hose

X 수밀용 폼테이프 (20x3mm) / Foam tape (20x3mm)

Y 리어 드레인 퍼널 (좌) / Rear drain funnel (Left)

Z 리어 드레인 퍼널 (우) / Rear drain funnel (Right)

AA 락킹 스톤 / Locking stone

BB 리어 도어 래치 수밀 패드 / Rear door latch pad

CC M12x30 육각 볼트 / M12x30 hexa bolt



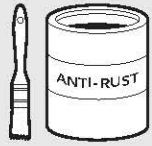
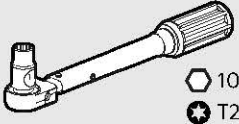


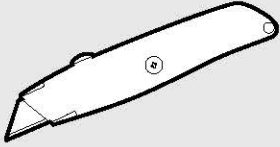


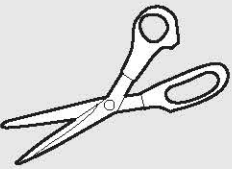



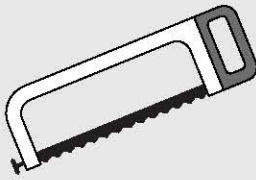
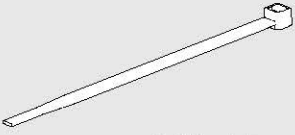
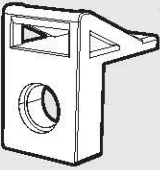
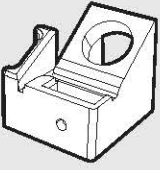
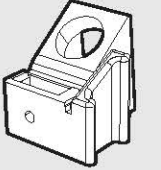
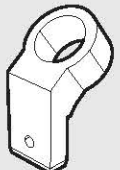
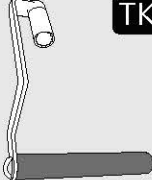
DD 더스트 커버 (좌) / Dust cover (Left)

EE 더스트 커버 (우) / Dust cover (Right)

FF 앵글 브라켓 / Angle bracket

Tools

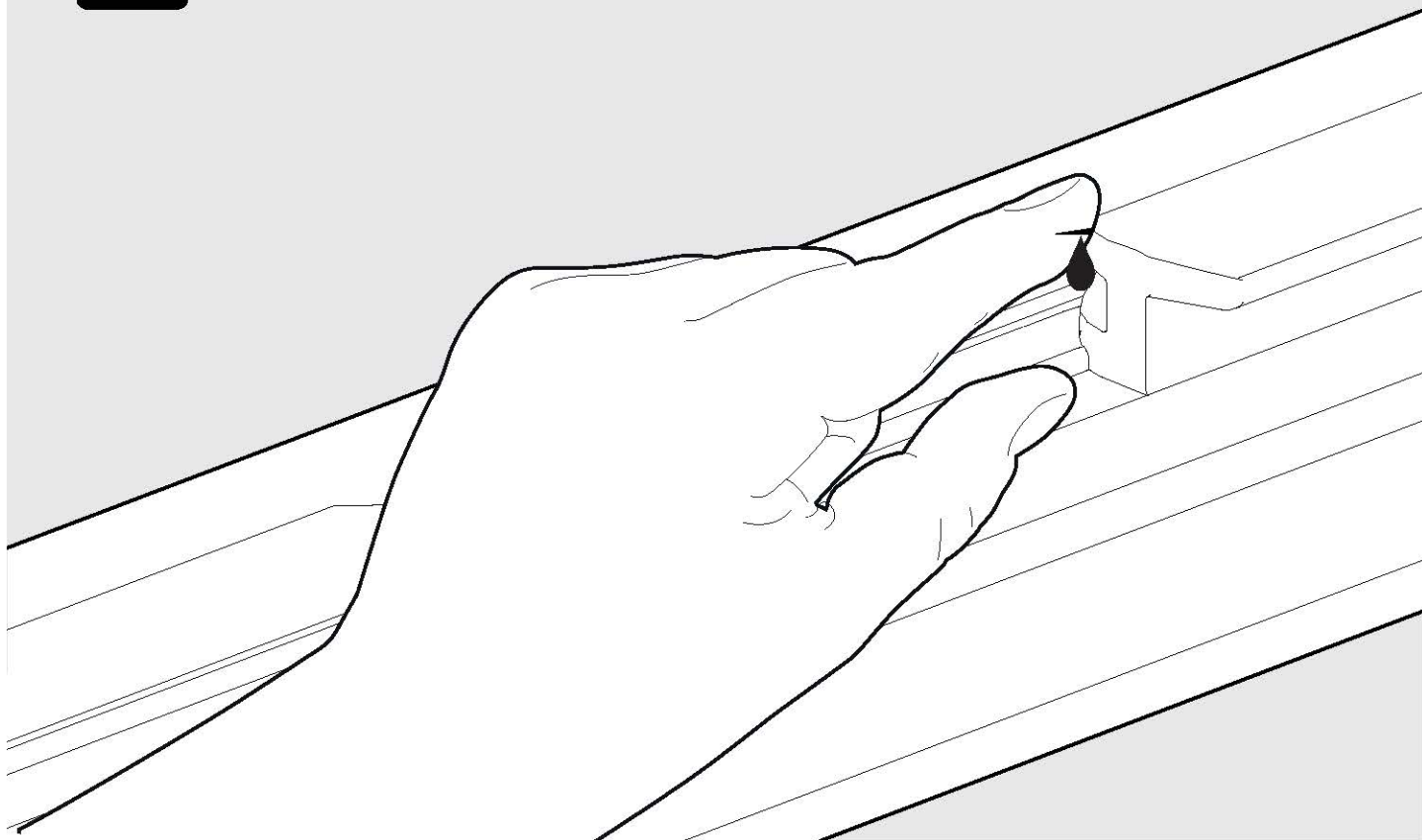
Tool list

	 <p>Ø 2.4mm Ø 6mm</p>	 <p>Rust protection Rostschutzmittel Anti-rouille Anti roest</p>	<p>1 - 25 Nm</p>  <ul style="list-style-type: none"> ⬡ 10mm ⊕ T20 ⊕ T30
 <p>Ø 2.4mm Ø 3/32"</p>	<p>Extensive use silicon Shore hardness 30~70</p> 		 <p>H₂O</p>
		 <p>Ø 30mm Ø 40mm</p>	
 <p>Ø 25mm</p>		 <p>200x4.5mm</p>	<div style="border: 1px solid black; padding: 5px;"> <p>PRIMER</p> <p>3M ADHESION PROMOTER K520K</p> </div>
 <p>TK1T01</p>	 <p>TK1T02</p>	 <p>TK1T03</p>	 <p>TK1T04</p>
 <p>TK1T05</p>			

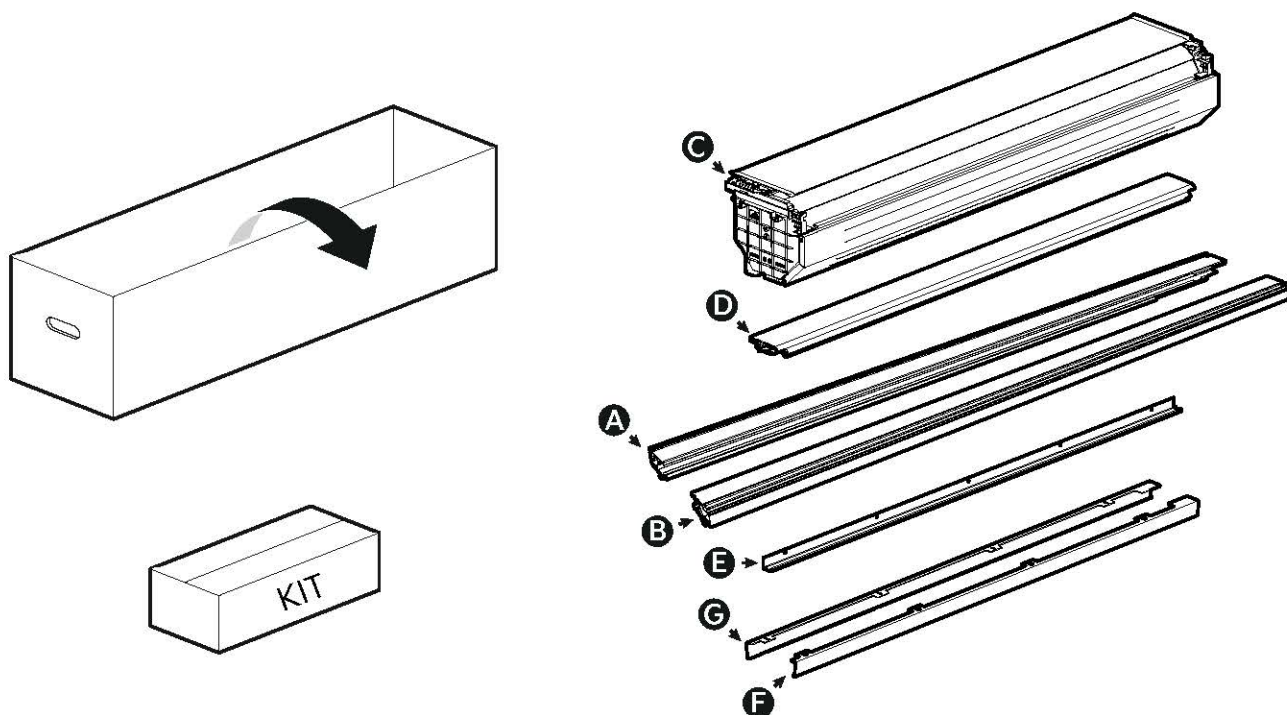
Precautions during installation



Be careful of sharp edges during installation



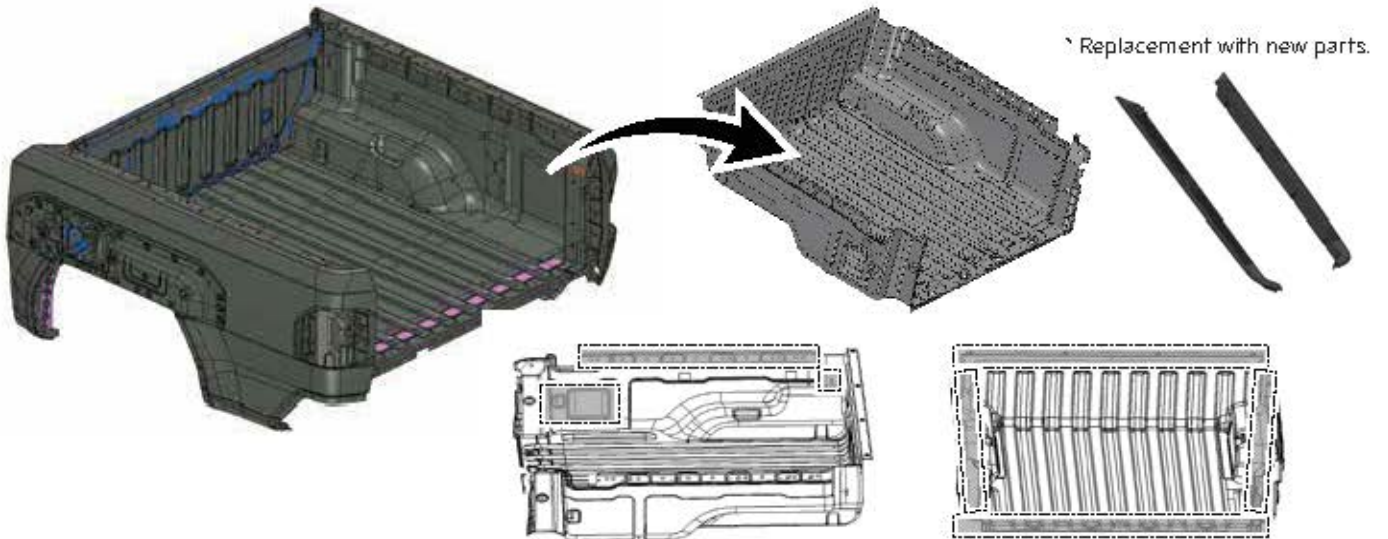
Check all components before product installation



Pre-installation requirements

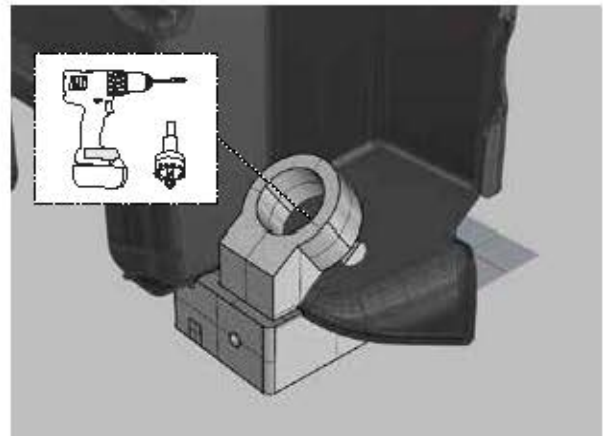
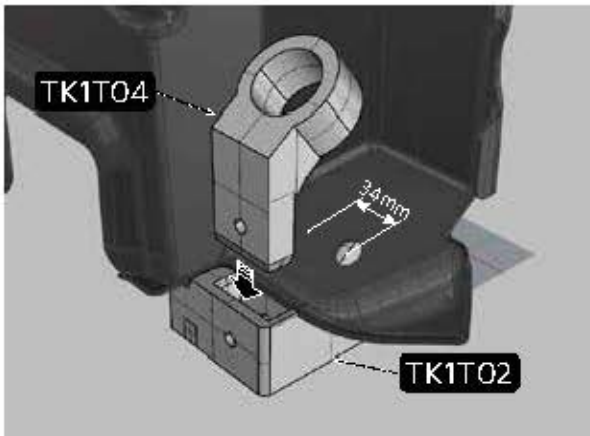
1. Removal of basic car bed liner / side top trim cover LH/RH

^ Removal of side top trim cover LH/RH: Attached with clips, but due to damage to the doghouse, replacement with new parts is required.

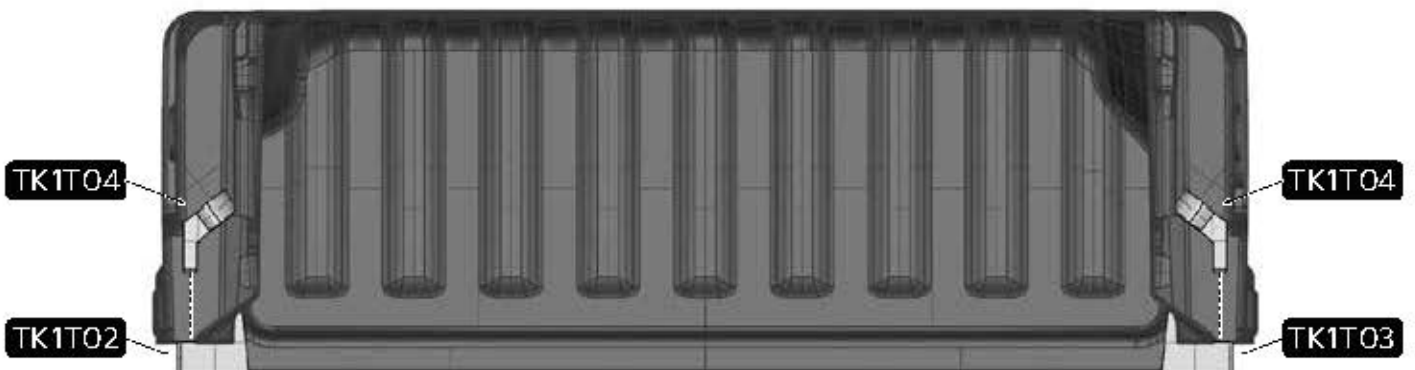


2. Drilling rear hole (Required tools : drill, Ø40 hole saw, TK1T02, TK1T03, TK1T04)

^ Use special tool TK1T02 based on reference photo (bed liner placed upside down)



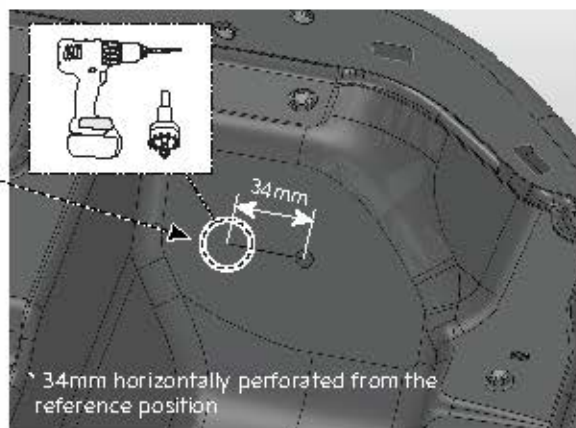
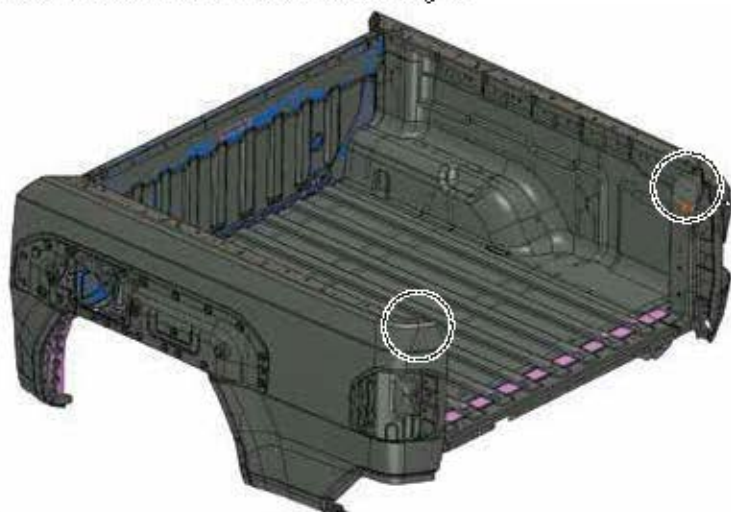
2-2. Drilling rear hole (Refer to left and right positioning of special tools)



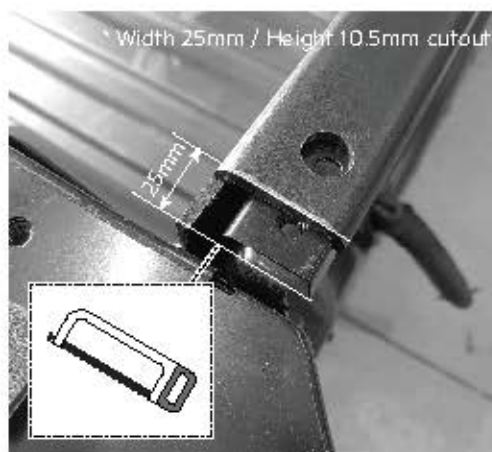
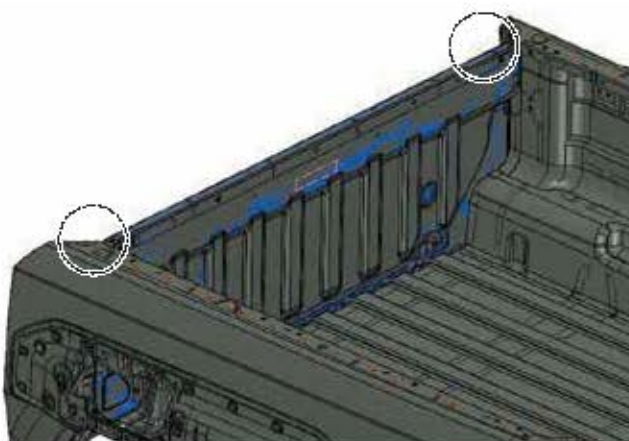
Pre-installation requirements

3. Drilling rear hole_car body (Required tools : drill, Ø30 hole saw)

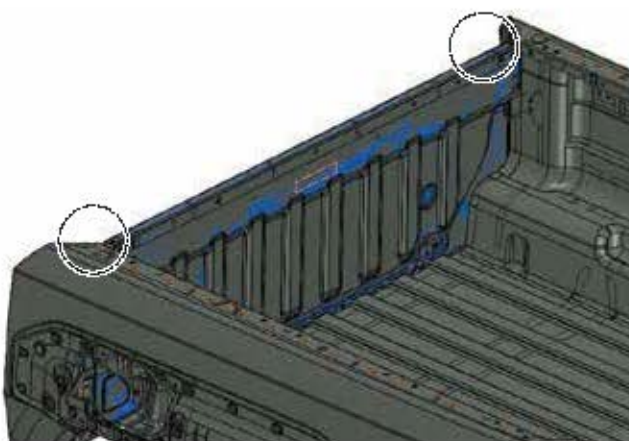
*Work after removal of the bedliner (left/right)



4. Front corner cutout



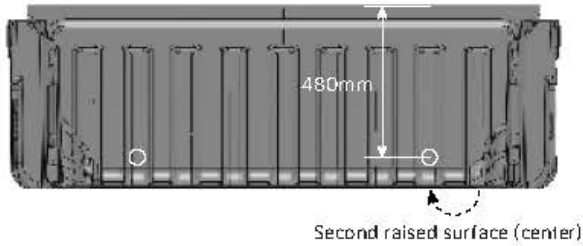
* Front corner cutout (for installing sport roll bar L bracket)



Pre-installation requirements

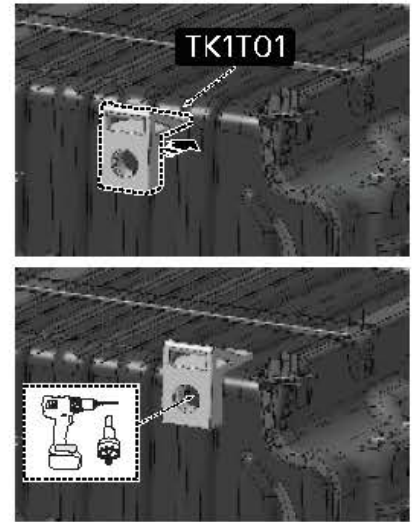
5. Drilling front hole (Required tools : drill, Ø40 hole saw, TK1T01)

* Drilling / Installation position

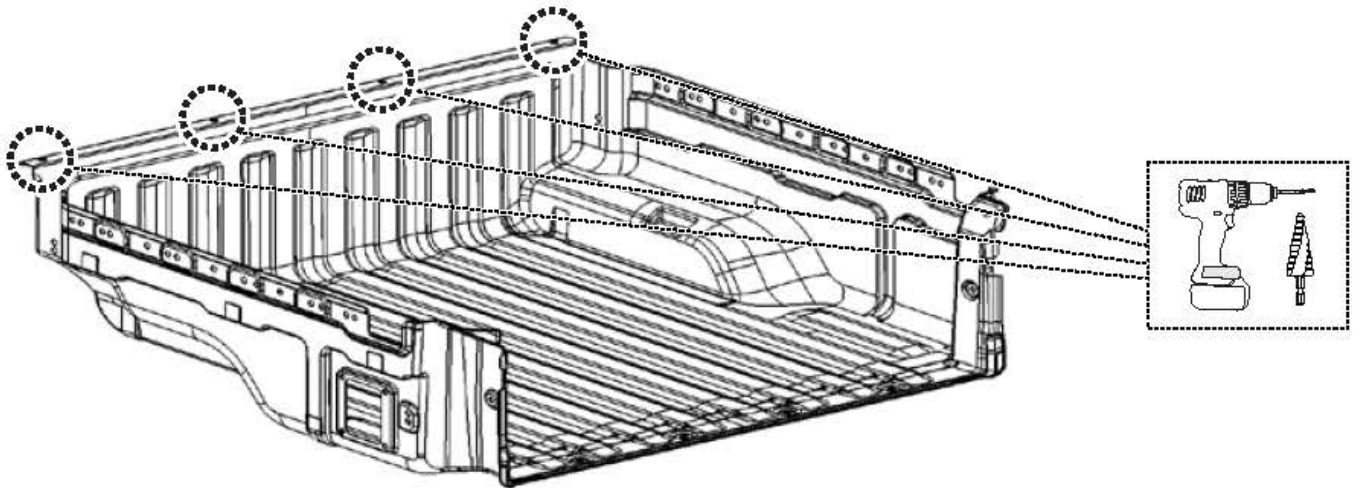


① Secure the hole tool in position

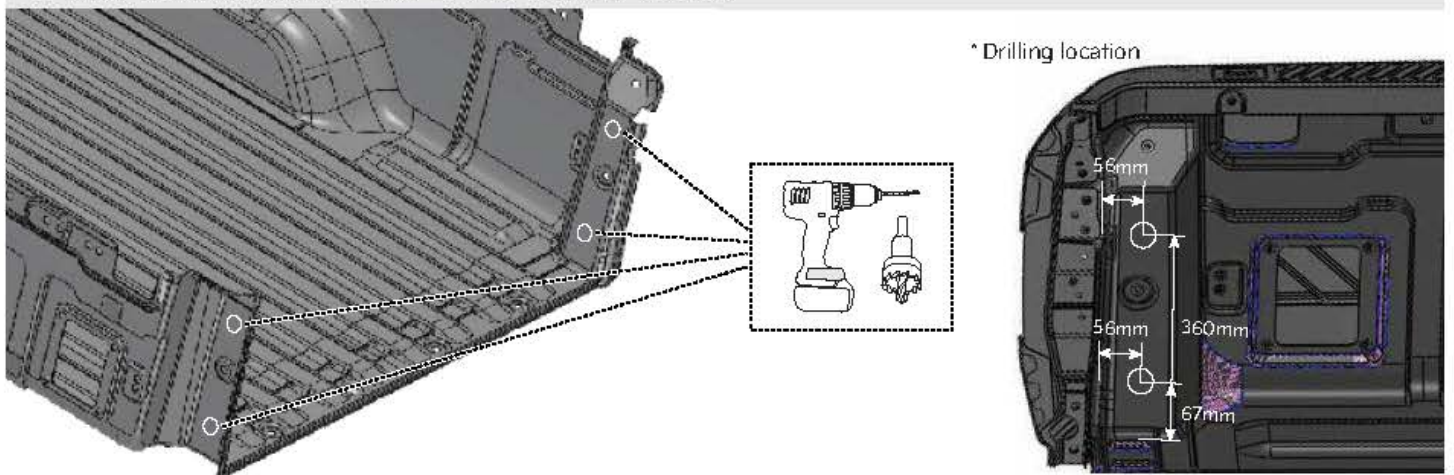
② Drill processing (40mm)



6. Enlarge front hole of bed liner (step drill Ø25mm)



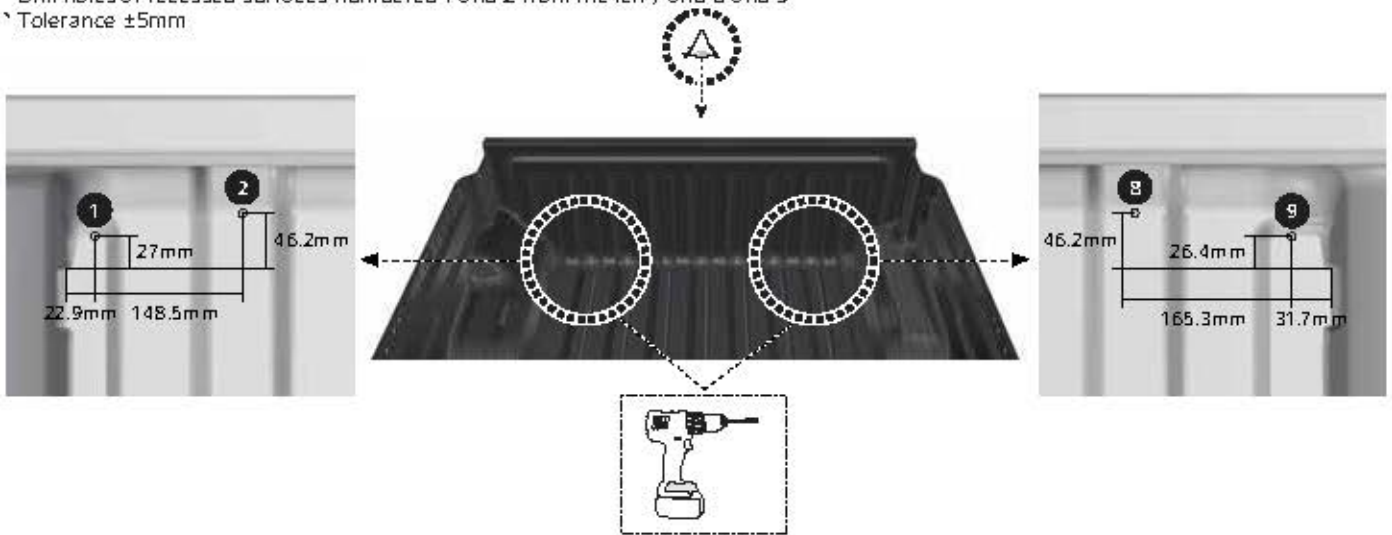
7. Rear left and right drilling of bed liner (Ø40mm)



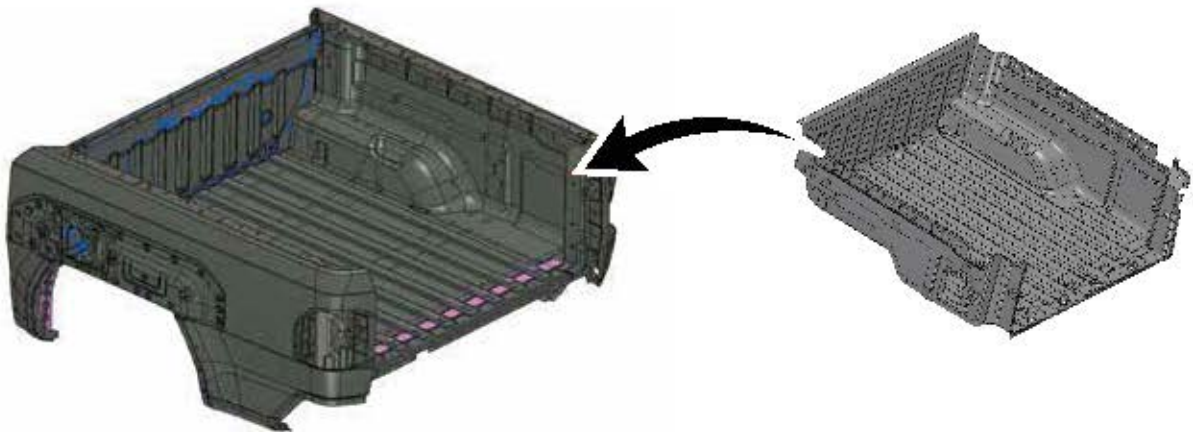
Pre-installation requirements

8. Drilling four front drainage holes (Required tools: TK1T11, TK1T12, drill $\varnothing 6\text{mm}$)

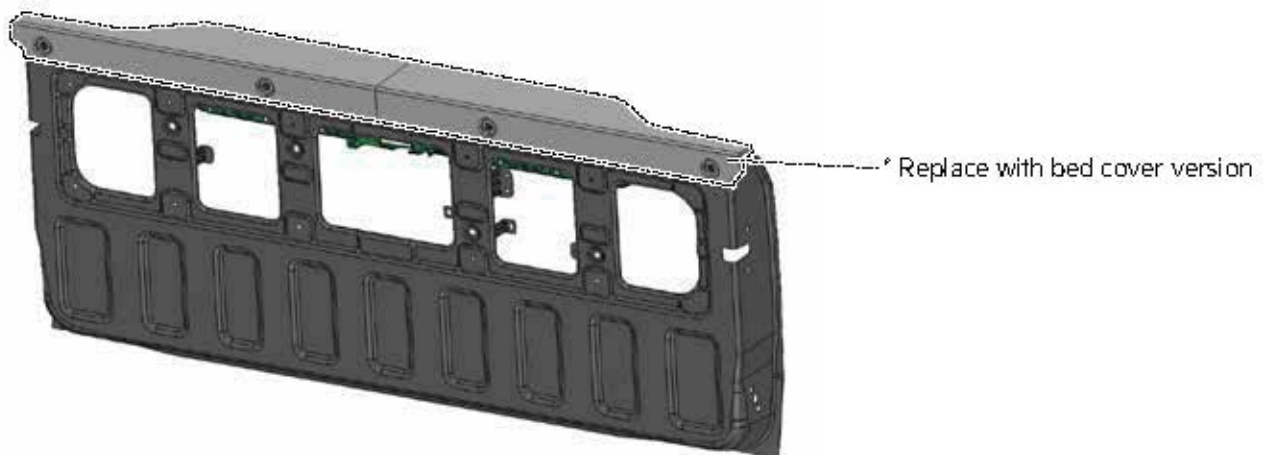
- ^ Drill holes at recessed surfaces numbered 1 and 2 from the left / and 8 and 9
- ^ Tolerance $\pm 5\text{mm}$



9. Install bed liner removal parts



10. Replace tailgate bed rail with new part



Installation

1.



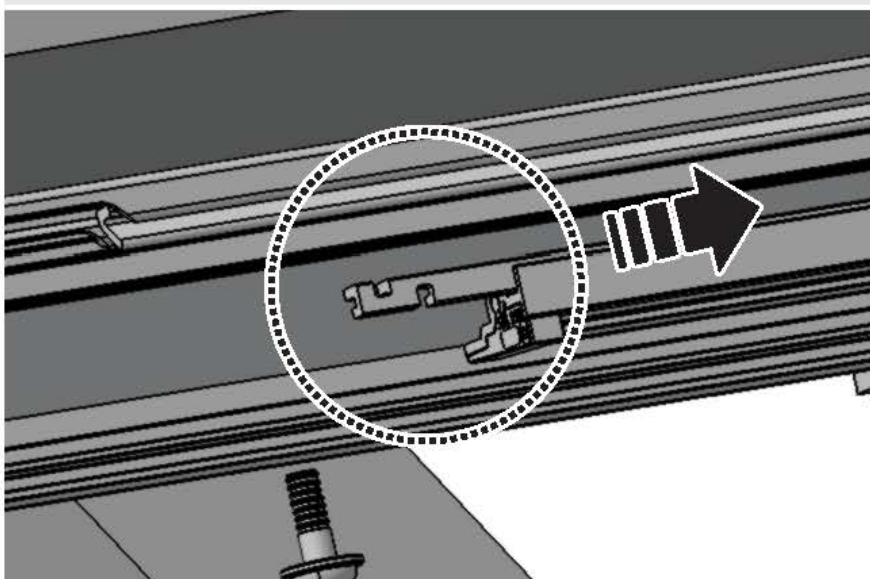
Arrange two tables for assembly.

2.



Place the canister on the table, followed by the side profile, to prepare for assembly.

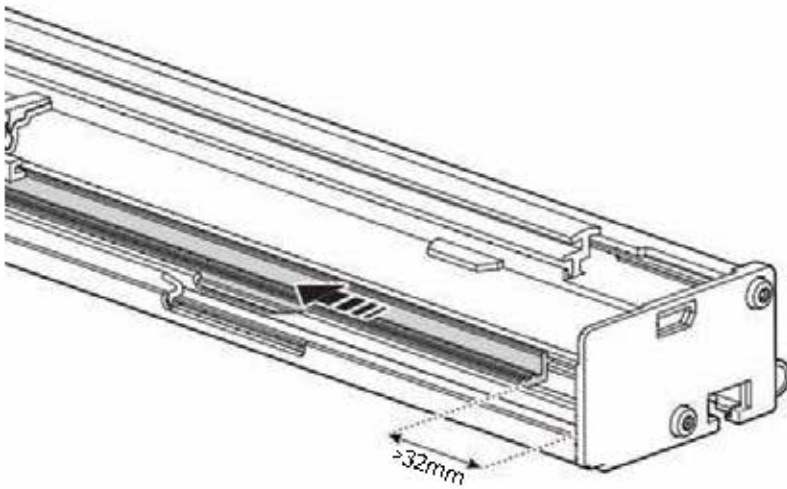
3.



Insert the sliding cover plastic rail inside the side rail so that it is not visible.

Installation

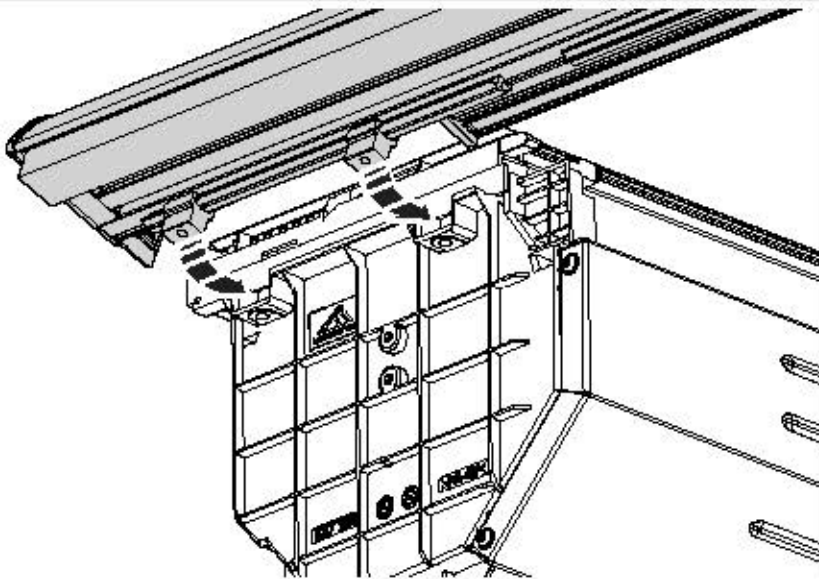
4.



The sliding part may shift during transport.

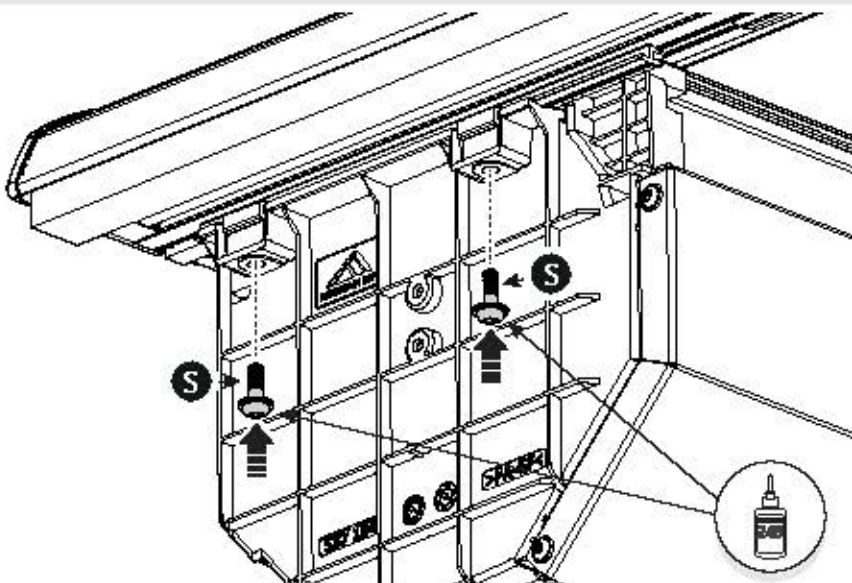
Make sure it is positioned as shown in the illustration.

5.



Assemble the locking stone component when assembling C + A/B.

6.

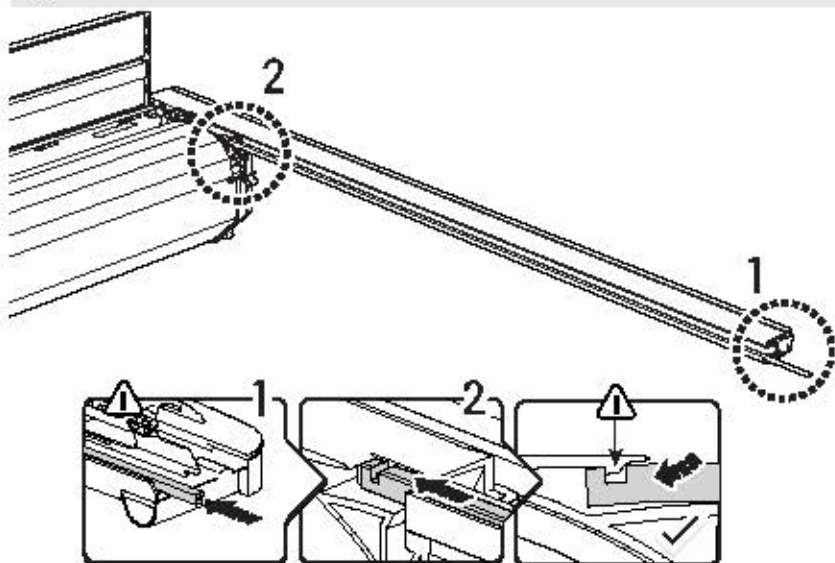


When assembling C + A/B, assemble the locking stone component, then fasten the bolt using Loctite.

* Torx bolt T30 / Torque value 4.8 Nm

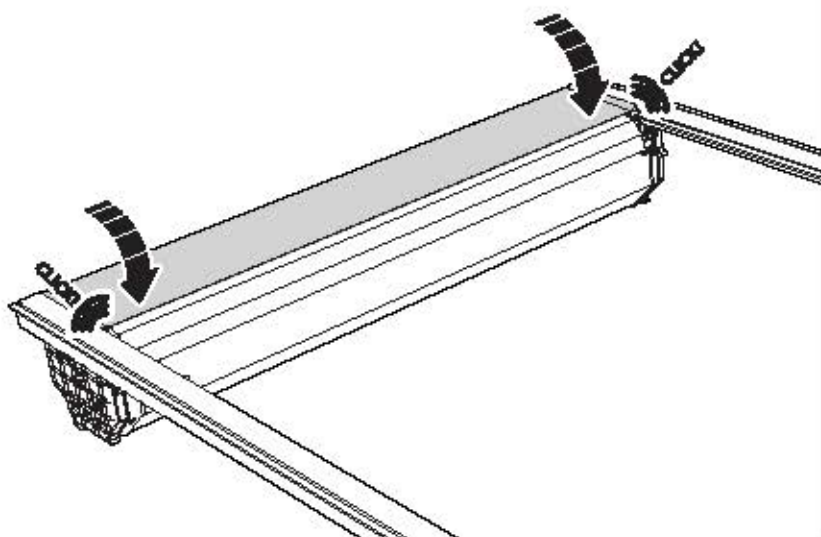
Installation

7.



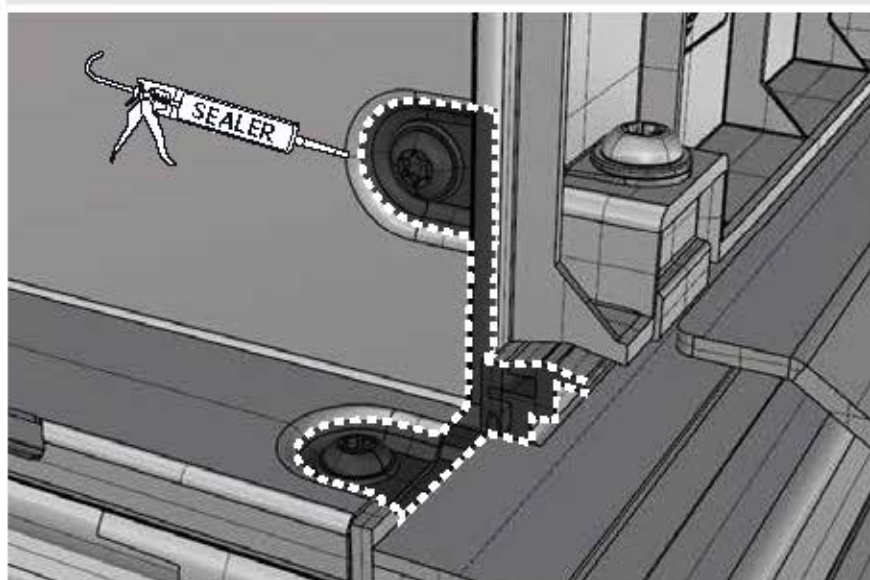
When assembling C + A/B, check the position of the internal sliding cover plastic rail.

8.



Check that the outer cover of part C is properly closed.

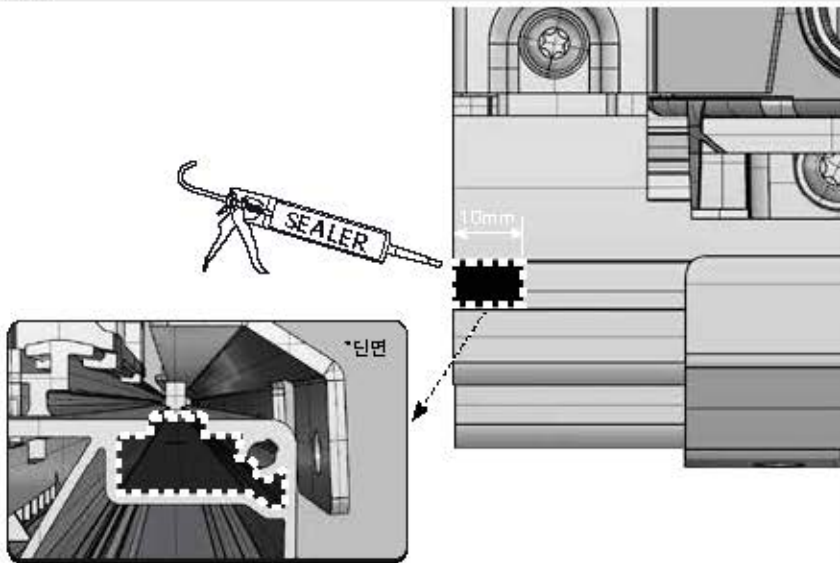
9.



Apply silicone between the side profile and the canister.

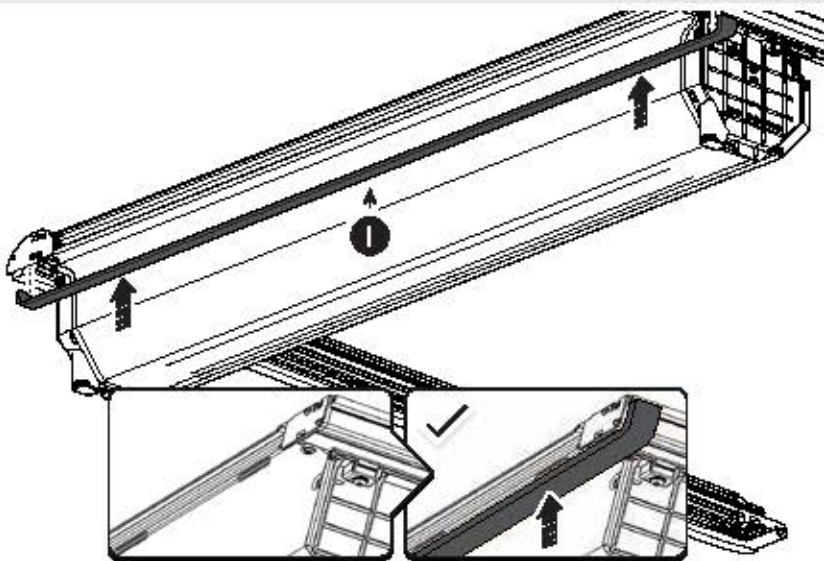
Installation

10.



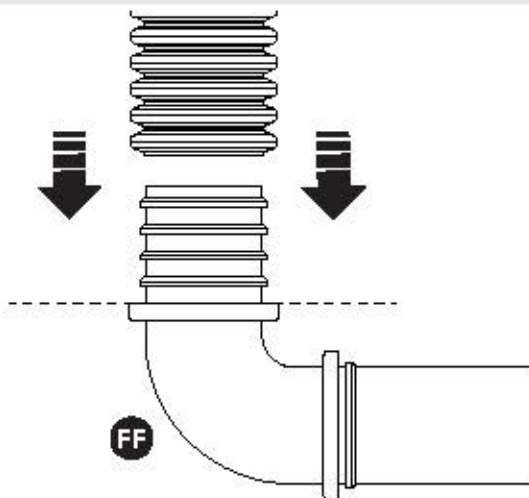
Apply silicone in the groove of the side profile in a 10mm length.
* The inside must be completely filled, as shown in the cross-section example.

11.



Install Waterproof I (sealing foam tape / 25x12mm) at the upper rear side of part C, where the front profile is located.

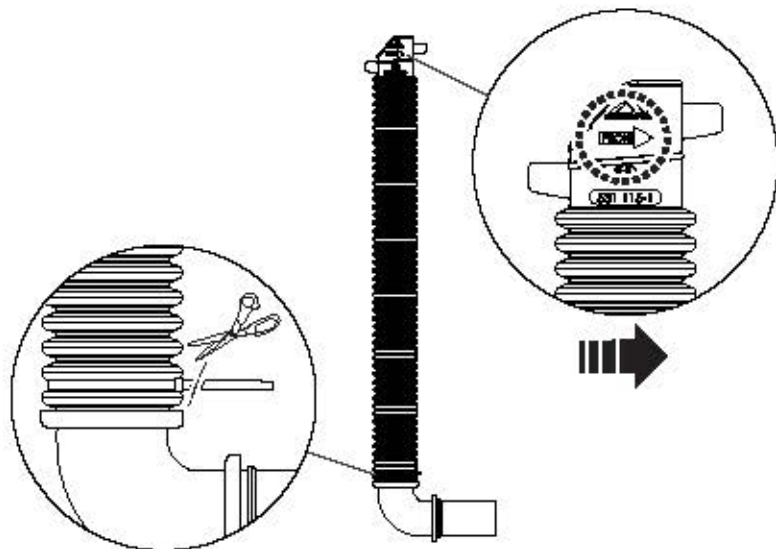
12.



Fully attach the drain hose to the angle bracket.

Installation

13.



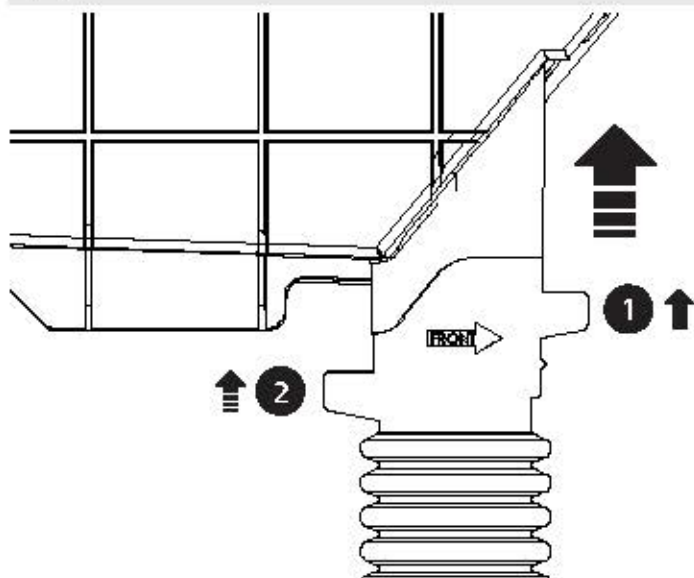
Check fitting

- Ensure the "FRONT" marking aligns with the installation direction of the angle bracket.

Fix with cable tie (200x4.5mm)

- Secure at the front groove of the drain hose's last corrugation.

14.



Install at drainage hole position W on the rear side of part C (front drain hose)

- Hold the protruding part of the drain hose and pull it up fully in the order of 1 to 2.

15.



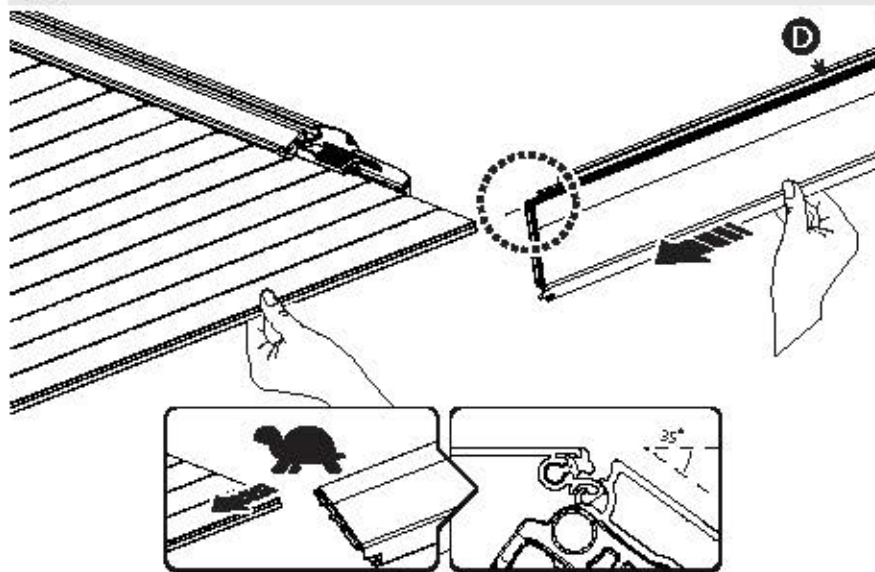
Pull out two lamellas beyond the rear end without applying force.

- It's easier to remove them by lifting in the upward direction based on the top side of the lamellas.

- Reference: The illustration shows the product from above, but the procedure should be performed while it is mounted on the jig (upside down).

Installation

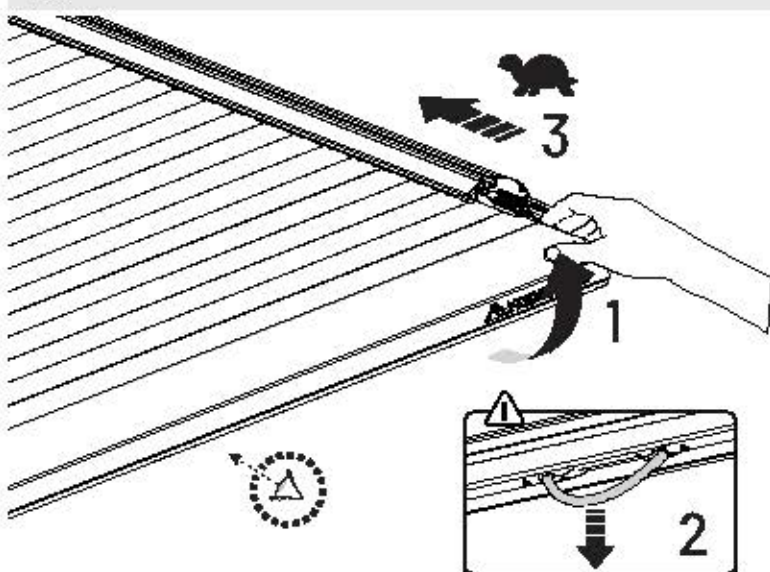
16.



Slide the locking part onto the end of the lamella to install it.

* Reference: After inserting the rear profile, slowly push it in, aligning it according to the groove shown in the illustration.

17.

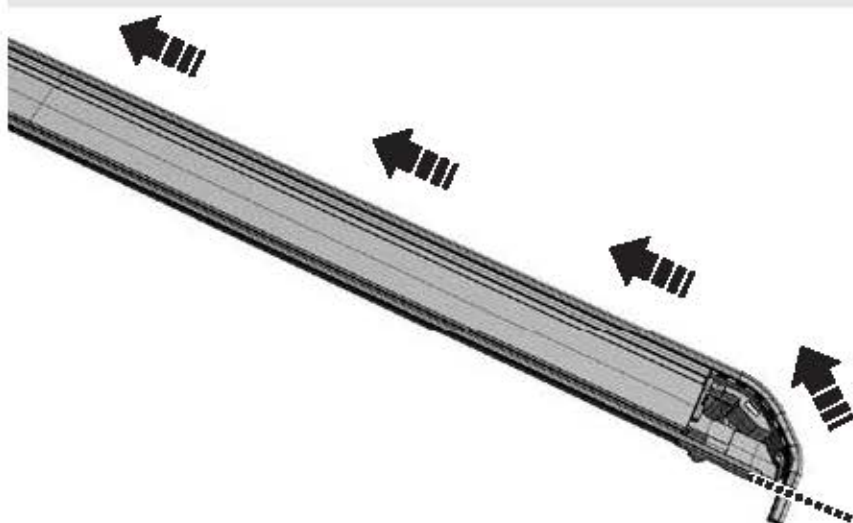


Insert the lamella inward.

* Reference: Do not apply excessive force; insert it while moving it up and down.

Once partially inserted, the locking mechanism will engage pull the locking cable to release it, then push the lamella further in to complete insertion.

18.



Pull the entire side bulb wire to set the initial position.

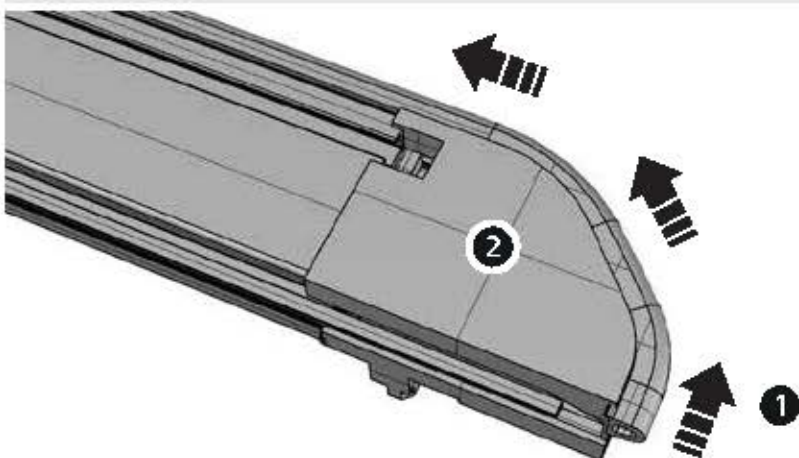
Installation

19.



Fit the side bulb wire into the groove of the rear corner top cap and assemble.

20.



Pull the side bulb wire once more to align and assemble the rear corner top cap.

21.



After assembling the rear corner top cap, secure the inside of the side profile with tapping screws (5.0 x 14)

Installation

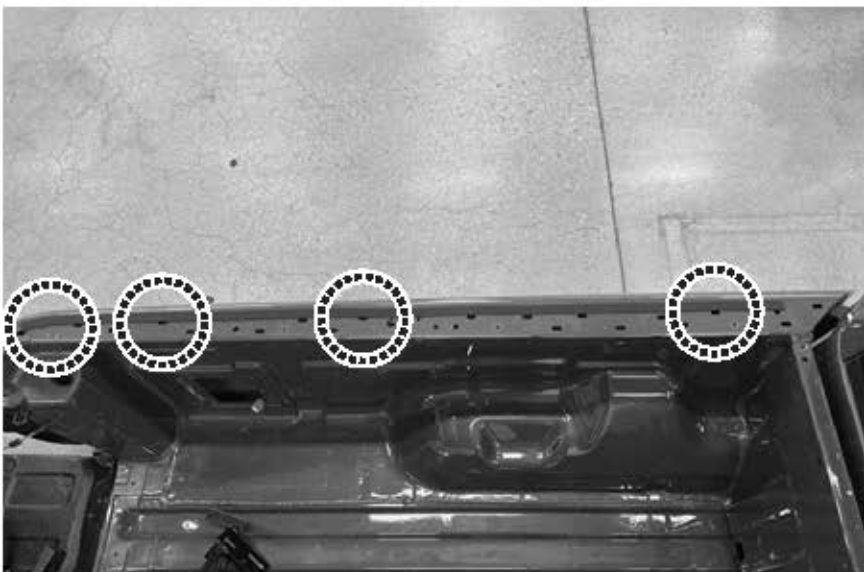
22.



Before installing the side top trim cover, apply foam tape to prevent it from protruding outside the side top trim.

- Cutting length: 1,490mm

23.

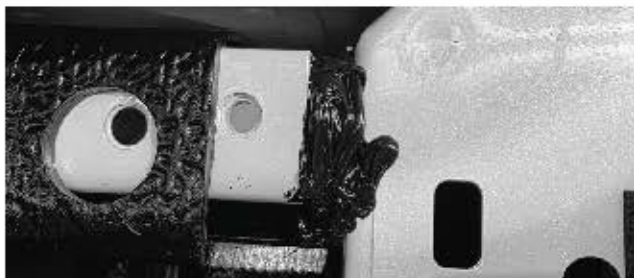


Check the area where the foam tape overlaps with the keyhole, then cut and apply the tape to fit the shape.

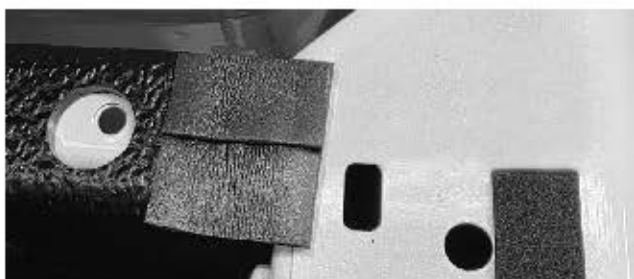
Perform the same procedure for both left and right sides

24.

1



2

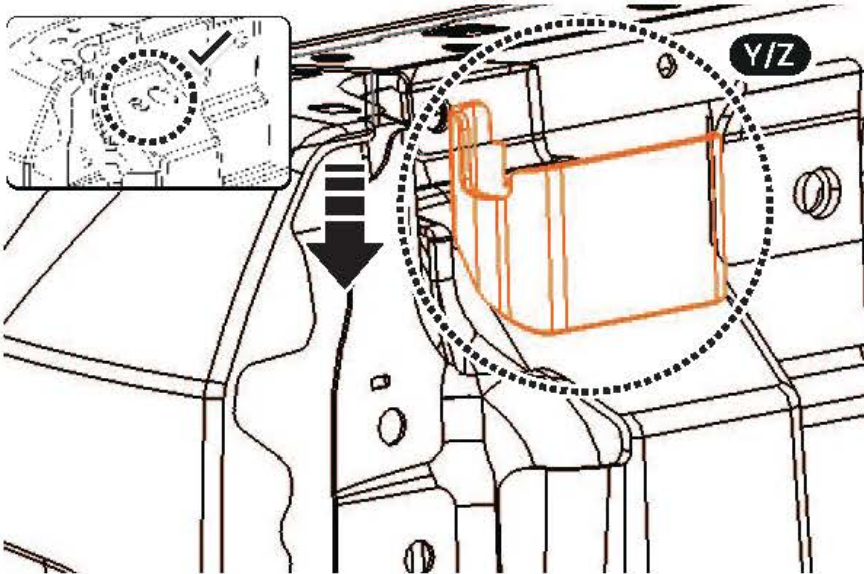


After applying silicone in the vehicle body gap at the front corner cutout area, attach Waterproof I (sealing foam tape / 25x10mm).

* Use two pieces, each 50mm in length.

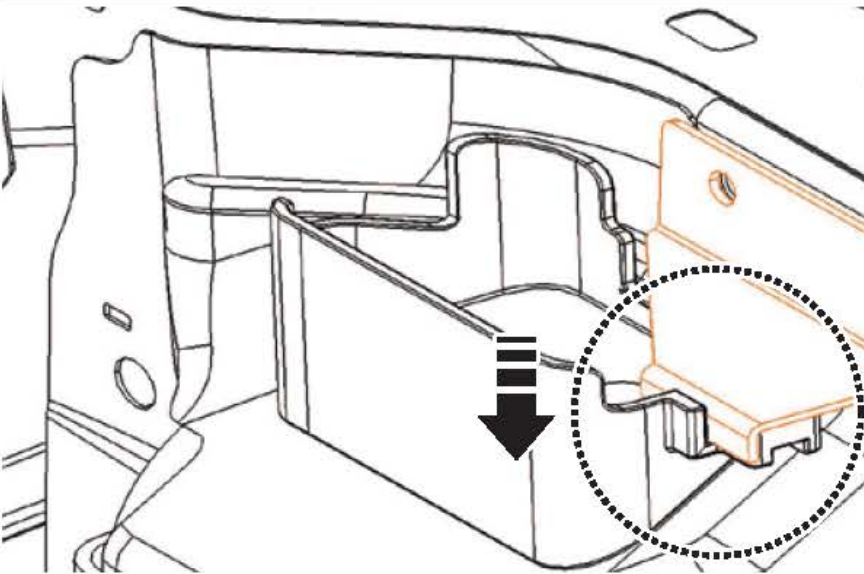
Installation

25.



Install the rear drain funnel into the hole at the assembly position.

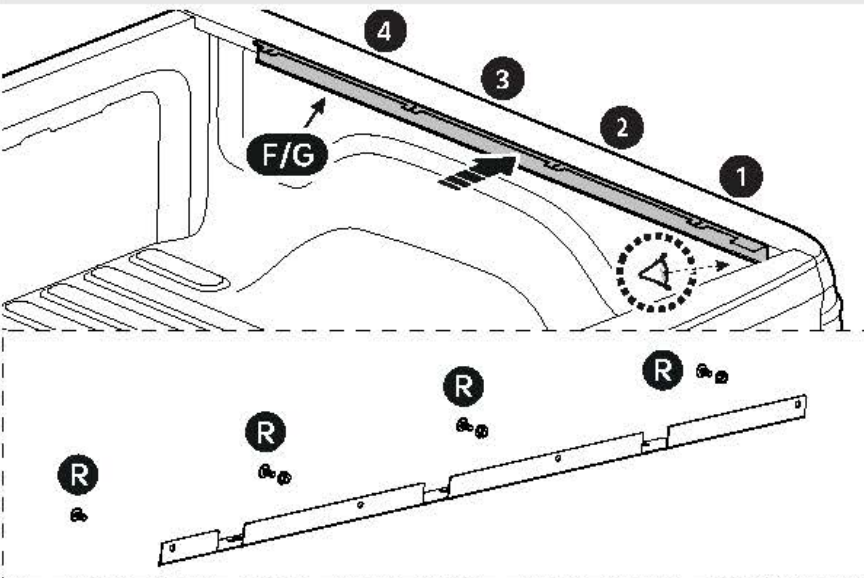
26.



Check the position of the side bracket and connect it with the rear drain funnel.

- Align with the groove on the rear drain funnel and insert it securely to complete the connection.

27.

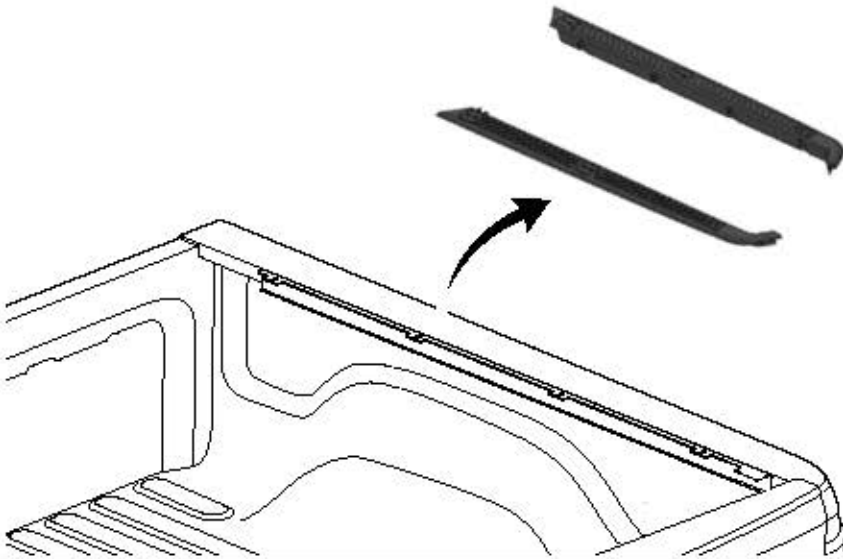


Install F/G side brackets on the left and right sides of the vehicle bed:

- Fasten 4 bolts each for LH/RH side brackets.
- Attach OEM side top trim covers LH/RH.
- * Torx bolt T45 / Torque value: 15Nm
- * Bolt assembly
- Temporarily assemble bolt/nut at position 3.
- Tighten bolts in the order of 1/3/2/4.

Installation

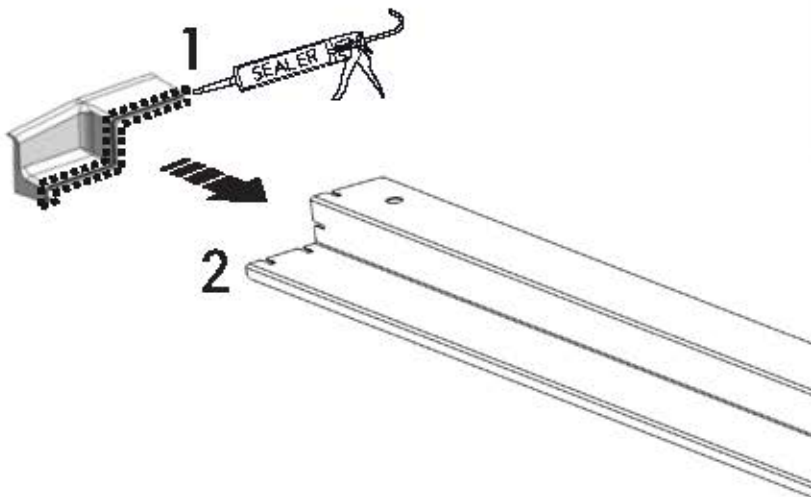
28.



Install top trim covers (left/right).

* When installing a sport roll bar, use the dedicated top trim covers.

29.



Apply silicone in the groove of the front end rubber, then assemble it onto the front profile.

* Press evenly (top, bottom, left, right) to ensure the silicone spreads uniformly.

30.

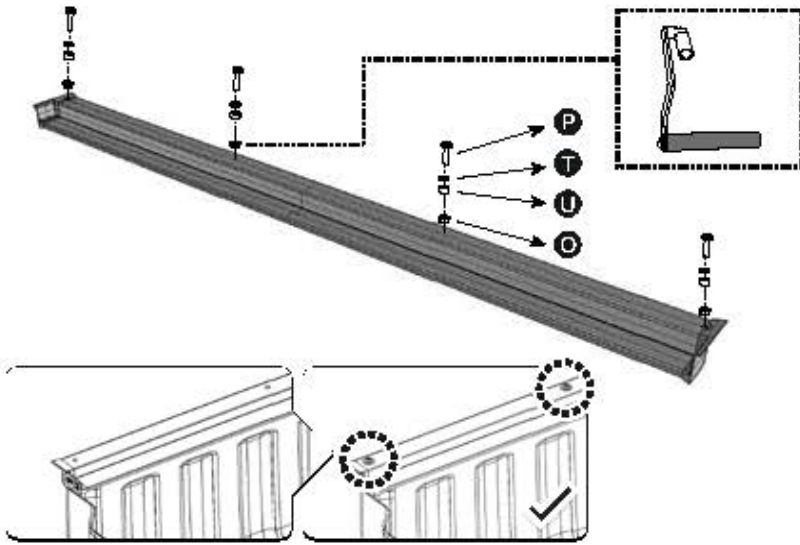


Install Waterproof J (sealing foam tape / 10x6mm) onto the front profile.

* Align both ends with the grooves of the front end rubber when attaching.

Installation

31.



Install E (front profile) onto the vehicle bed

- Check hole positions and mount accordingly

- Align fastener holes with bed liner holes, then secure with bolts and nuts

* 4 locations / Torx bolt T45 / 10Nm

* Special tool TK1T05 is required for tightening

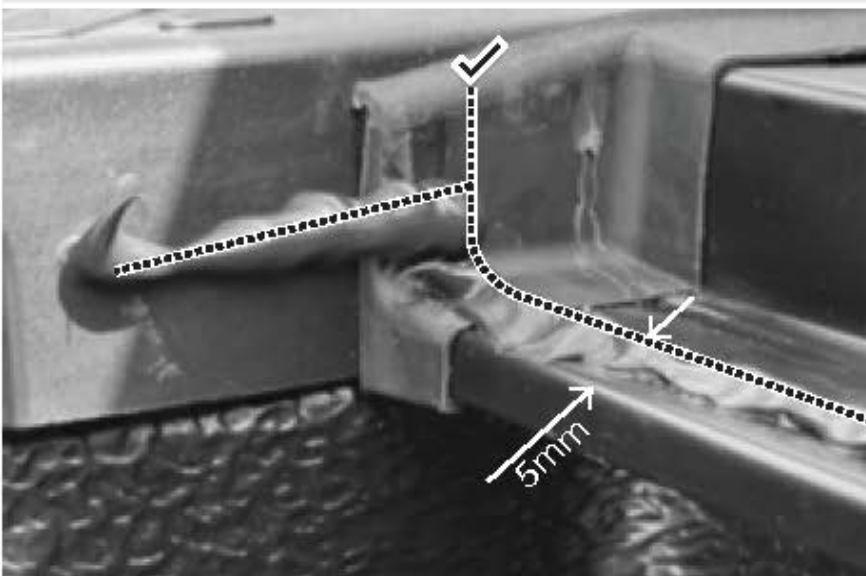
32.



Apply silicone inside the front end rubber along the dotted line as shown in the example.

(Use the angled edge of the end rubber as a reference point; apply the same on both left and right sides.)

33.

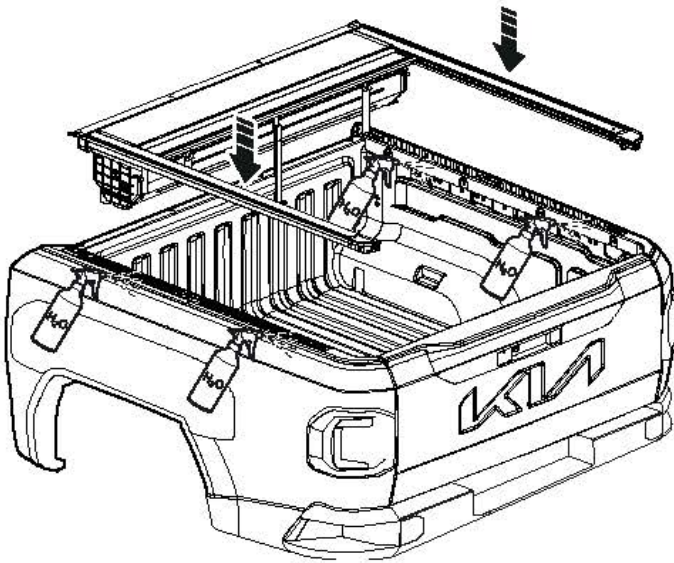


Apply silicone along the dotted line on the front profile as shown in the example.

- V-check location : apply starting from the bend point all the way to the opposite end. (same for both left and right sides.)

Installation

34.



Mount the assembled C + A/B components onto the vehicle bed.
(E/F/G)

35.



Check the front installation clearance.

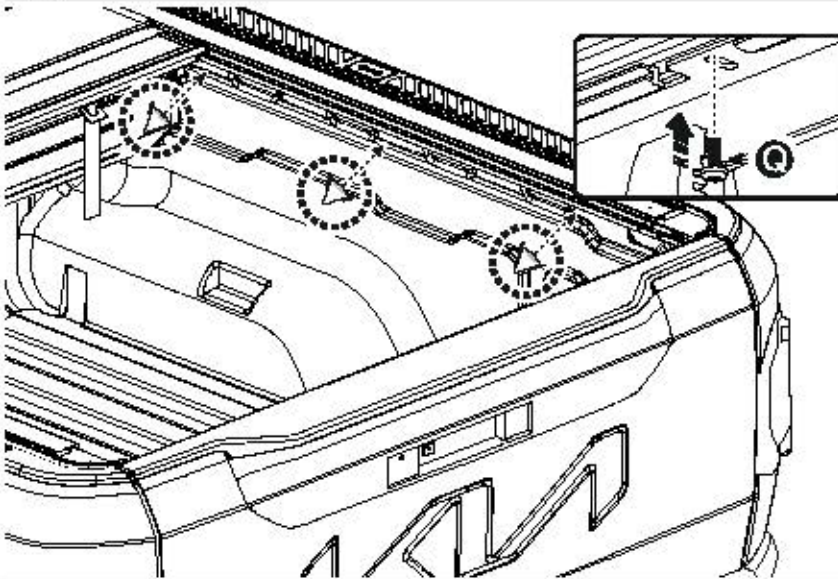
36.



Check the left and right installation dimensions.

Installation

37.

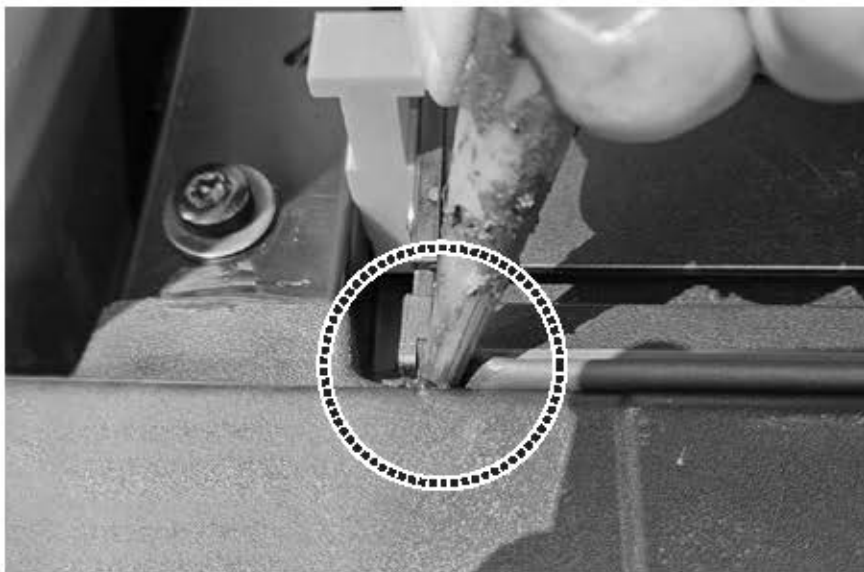


Secure A/B locking stone bolts

Fasten bolts at 3 locations on side brackets LH/RH.

* Torx bolt T30 / Torque value : 10 Nm

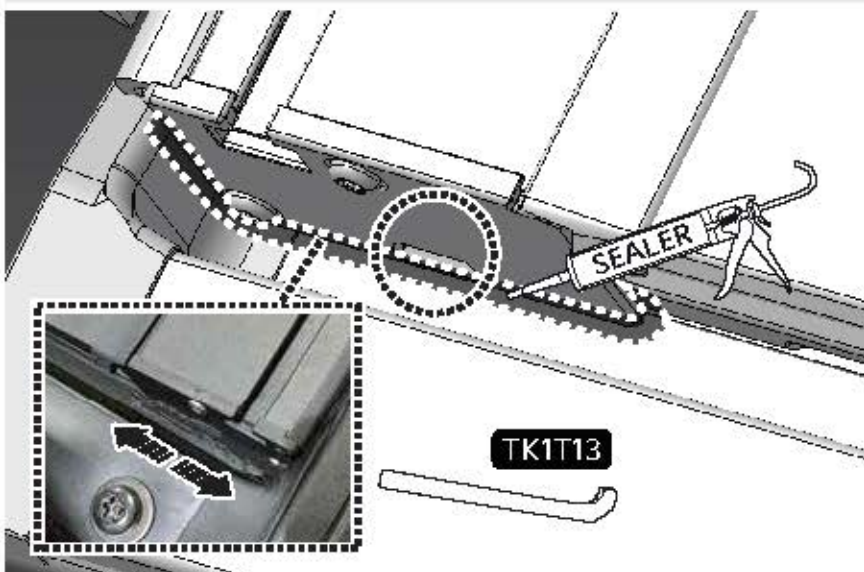
38.



Apply silicone deeply at the starting position of the side bulb wire.

Neatly finish off any silicone that comes up.

39.



Apply silicone where the front profile and canister contact.

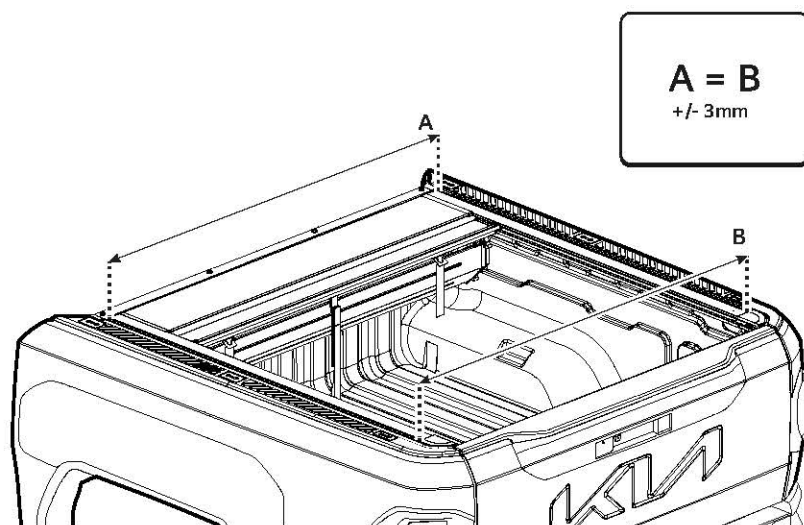
Place the TK1T15 tool aligned with the assembly shape, then finish the silicone work.

* Be careful not to block the holes in the front profile.

(refer to the marked circular area.)

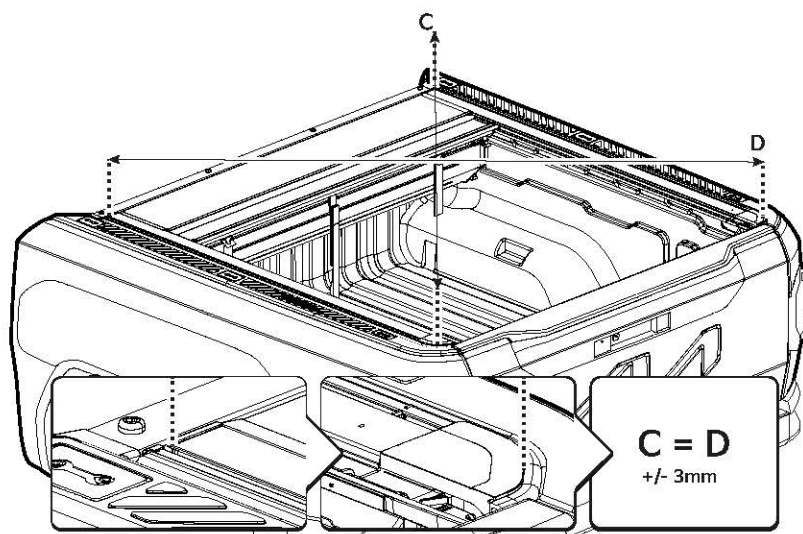
Installation

40.



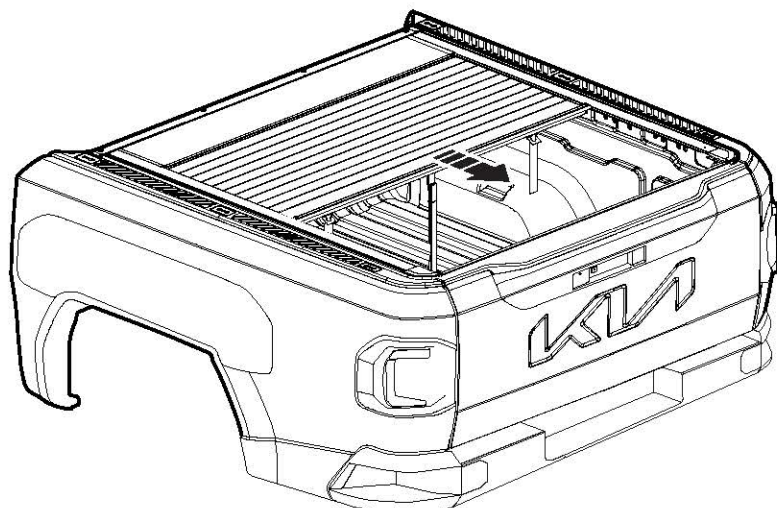
After installing the tonneau cover, check the A/B dimensions using a tape measure.

41.



After installing the tonneau cover, check the C/D dimensions using a tape measure.

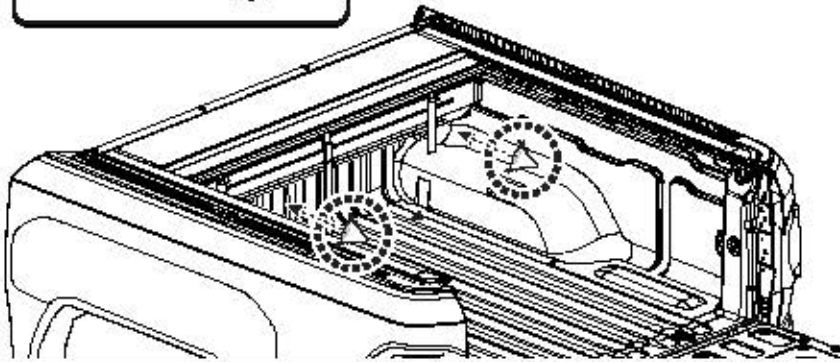
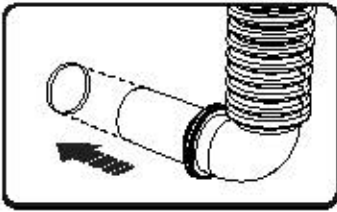
42.



Check the sliding functionality of the tonneau cover.

Installation

43.



Secure the front drainage hole of the tonneau cover to the vehicle body.

44.

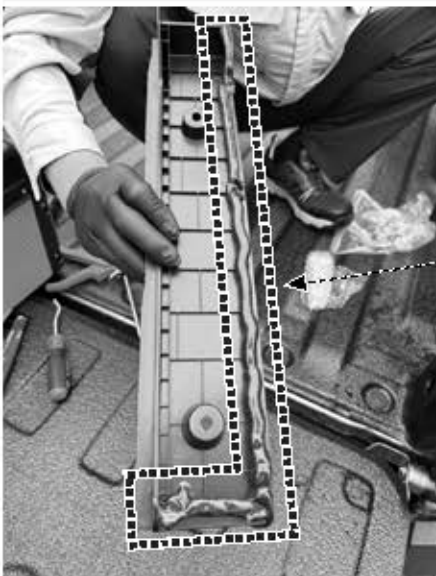


PRIMER

3M
ADHESION
PROMOTER
K520K

Apply primer at the corners of the dust cover mounting position.
(refer to the dotted line location)

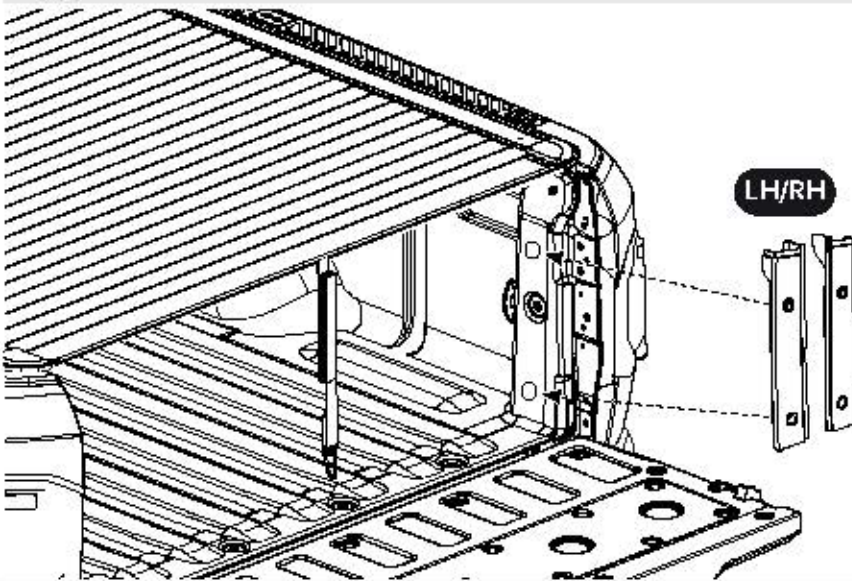
45.



Apply silicone inside the dust cover.
(refer to the dotted line location)

Installation

46.



Secure the dust cover on the LH/RH sides.

- Fasten with M12x30 hex bolts at 2 locations on both LH and RH sides.

47.

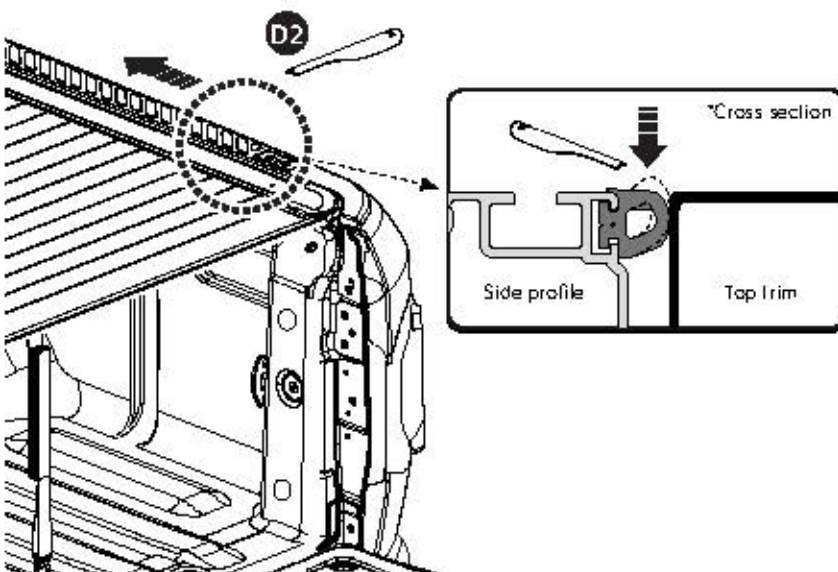


After fastening the bolts on the LH/RH sides of the dust cover, apply silicone on both left and right sides.

(refer to the dotted line locations)

- Apply silicone sealing on the front and lower parts of the dust cover, as well as the inner side of the bed cover dust seal.

48.



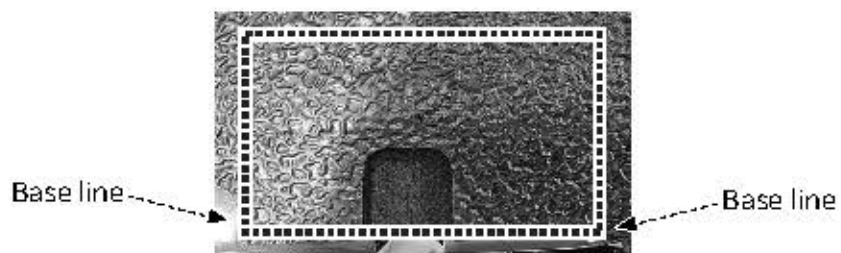
Use a multi-tool to tuck the protruding side bulb wire inward.

* Pull the multi-tool while inserting it to perform the task.

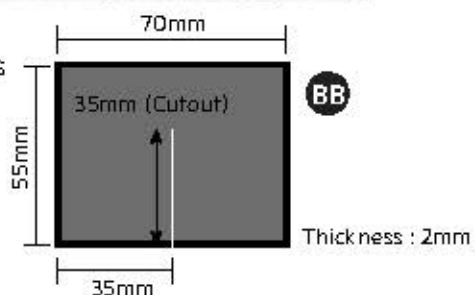
* This step is not required when installing a sport bar.

Installation

49.

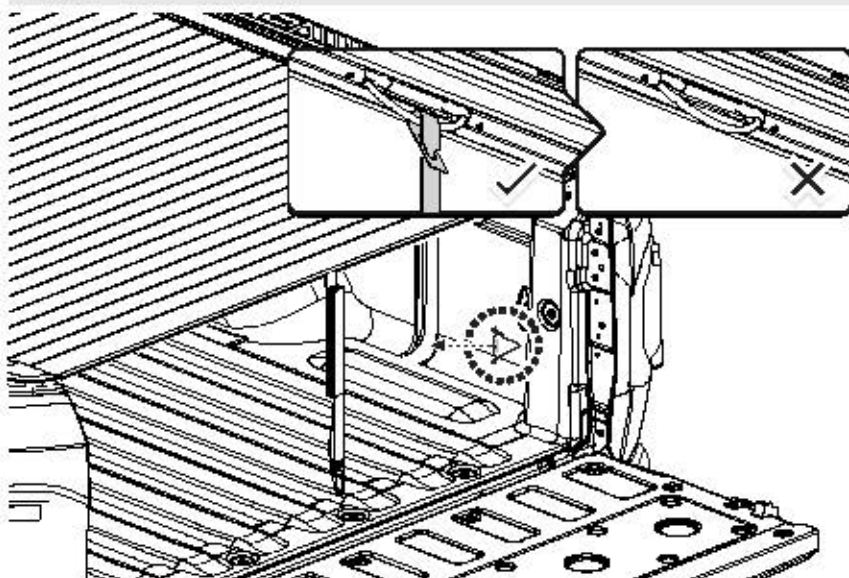


* Pad specifications



Attach the waterproof pad to the rear door latch area.

50.



Inspect the tonneau cover installation.

Product Type and Inquiries

List	Type	Remark
Product name	TASMAN Bed cover	
Product Number	DV829-AP000	



Customer Service +45 4810 2950 (08:00 - 16:00 CET)
Support info@realtruck.dk
Website www.realtruck.dk
Address Pedersholmparken 10, 3600 Frederikssund, Denmark



Customer Service 1668 - 4012 (10:00 - 16:30 KST)
FAX 055 - 313 - 5122
Address 33-4, Techno valley-ro, Jillye-myeon, Gimhae-si, Gyeongsangnam-do, Republic of Korea